

# SEABOAT-750-NAVY

RIGID HULLED INFLATABLE BOATS



Heavy duty high speed commercial inboard diesel 7.5m RIB with composite hull and aluminium topside fabrications. Craft features an aft helm position for two (2) persons, inboard diesel stern drive or waterjet propulsion and further optional seating for up to six (6) on the forward working deck. Craft is stern ramp ready and, optional, can be upgraded with a fixed single point lift system for operation with dedicated launch and recovery davits as well.

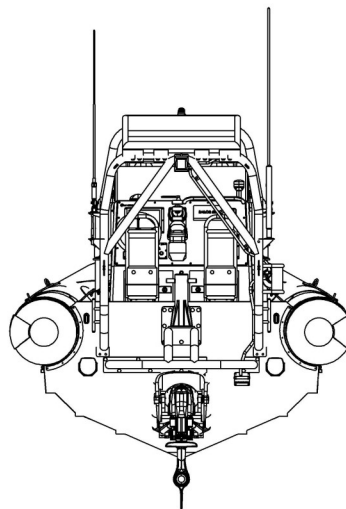
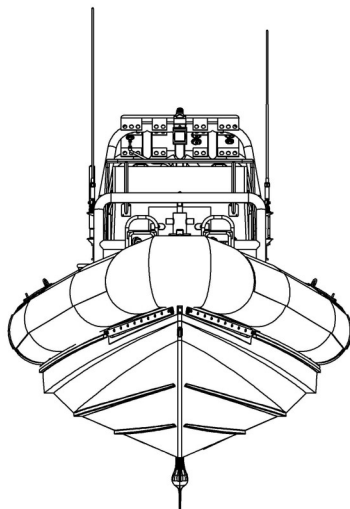
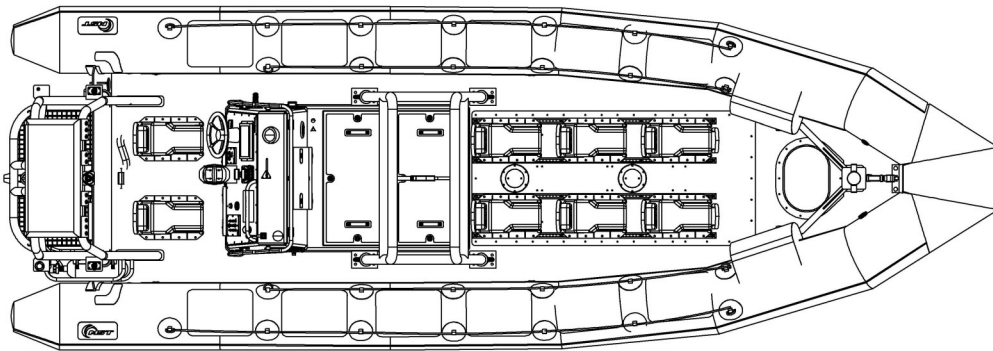
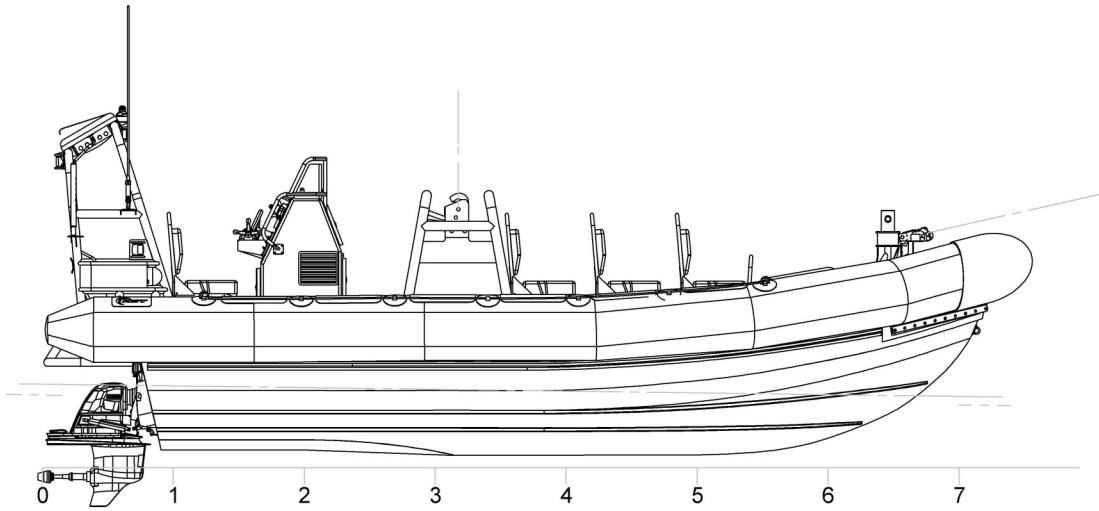
Design Classification:	ISO 12215-5 Design Cat B	Propulsion:	Sterndrive / Waterjet
Approval:	SOLAS FRC Available	Max Draft:	0.55m
Hull material:	Composite	Fuel type:	Diesel
Topsides:	Aluminium	Fuel capacity:	200L
Length overall:	7.50 m	Crew Seating:	Up to 8 persons
Beam overall:	2.60 m	Maximum Capacity:	14 persons
Collar Type:	Inflatable Hypalon Collar	Weight (100% fuel ):	3100 kg approx
Lifting/Launching:	Single Point Davit with Anti Pendulum Docking Stern Ramp	Weight (100% fuel & 4 persons):	3500 kg approx
Self Righting:	Manually Activated	Max Speed:	Up to 45 knots
Engine:	Inboard Marine Diesel	Range:	Up to 120 nm
Power:	Up to 440 hp	Navigation:	GPS/Radar/Echo
		Communications:	Tactical & Crew

# SEABOAT-750-NAVY

RIGID HULLED INFLATABLE BOATS



231213



**MARINE SPECIALISED TECHNOLOGY GROUP**

The Shipyard, Riverbank Road, Bromborough, Wirral, CH62 3JQ, United Kingdom  
Phone: +44 (0)151 708 4112 Email: sales@mstltd.com Web: www.mstltd.com

© Marine Specialised Technology Limited 2023